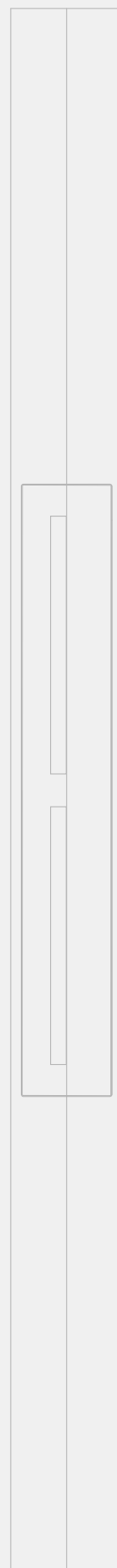
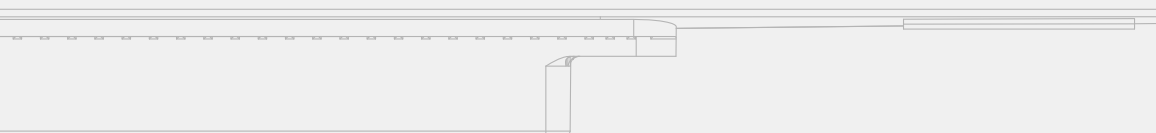




Drainage Systems

TECEdrainprofile

TECHNICAL INFORMATION



All data contained in the Technical Information has been compiled with the utmost care. However, the correctness of the data presented cannot be guaranteed. TECE assumes no liability for damages resulting from the use of this information. Text and images are protected by copyright law.

Issue: March 2020

© Copyright 2020, TECE GmbH, Hollefeldstraße 57, D-48282 Emsdetten

Contents

Introduction	1-4
Planning	1-5
Sealing	1-5
Connection of composite seals to floor drains, shower channels and profiles	1-5
Seal System – Tested composite seal	1-5
Drains	1-6
Load-bearing capacity of grates	1-7
Barrier-free bathroom design	1-7
Planning and installation instructions	1-8
Shower profile position and gradient design	1-8
Installation examples	1-8
Sound insulation	1-9
Fire protection	1-10
TECEdrainprofile – the advantages	1-11
Recessed installation solution	1-11
Safe sealing with click-in Seal System sealing sleeve	1-11
Easy assembly thanks to clever product details	1-11
The simplest cleaning for perfect hygiene	1-12
Range and technical data	1-13
Shower profiles	1-13
Drains	1-14
Accessories	1-15
Assembly instructions	1-17
Installation flush with the wall - position of the drain	1-17
Inserting the drain into the screed	1-18
Creating the composite seal	1-19
Installing the shower profile	1-19
Maintenance and care	1-21

Introduction

Introduction

The TECEdrainprofile shower profile provides easily manufactured, recessed drainage across the entire width of the shower space, making installation and sealing easier for the technician, and cleaning easier for the user.

Typically, a piece of tile is cut down to size and placed to cover the gap between the shower channels and the sides of the shower area. This spoils the visual appearance of the tiled section particularly in the case of modern, large-format tiles. With the TECEdrainprofile shower profile, simple adjustment is now possible right up to the edges of the shower area. This reduces the building process, saves money and gives the shower area an aesthetically pleasing overall look.

The TECEdrainprofile consists of a clear, easy-to-understand set which contains just a few components: a shower profile, a drain and accessories. The drain is set-up in such way that it fits flush with the surface of the screed, so that no obstructive elements get in the way during trowelling. This makes creating an even screed surface with a gradient really easy.

vides additional security for the sealing. It snaps directly into the drain and is then worked into the flat seal. This ensures a watertight connection and eliminates the need for the sealing to be glued to the flange by the customer, which has been common practice up to now.

Finally, the profile is inserted and can be easily laid on the screed like a tile. For flush adjustment to the width of the shower area, the installation technician or floor tiler can fit it simply and precisely on site. Once the drain has been embedded in the screed, the installation solution also allows subsequent fine adjustment of the shower profile in all horizontal directions. The height of the profile can also be adjusted to the thickness of the floor covering.

The profile is optionally available in brushed or polished stainless steel, or with a coloured surface finish – a high-quality PVD coating. The surface versions come in lengths of 800, 900, 1000 and 1200 millimetres.



The factory-fitted flexible Seal System sealing sleeve pro-

Planning

Sealing

Building components and structures are constantly exposed to moisture. In the interior, it is mainly “wet and damp rooms” that are affected: bathrooms, washrooms and kitchens in the private sector, large kitchens, washing facilities and production rooms in the commercial and industrial sectors as well as swimming pools, sports facilities and shower facilities in the public sector. Moisture can penetrate the building components and cause changes to the building physics or chemistry, for example deterioration of thermal insulation or mould. This can lead to the destruction of building components and to adverse health effects for the occupants.

To protect building components and structures from moisture and damp, the local requirements, guidelines, standards and laws must be observed.

Connection of composite seals to floor drains, shower channels and profiles

Floor drains, shower channels and profiles constitute penetrations of the surface seal (composite seal). Special attention is required here to ensure that these detail points remain permanently watertight. The planners must coordinate the trades of plumber, screed layer and tiler. This includes realistically determining the water impact classes, selecting the appropriate materials and products for substrates, the composite seal and drains or channels. The construction work must then be carried out in a professional manner.

Seal System – Tested composite seal



The Seal System project was launched to change the confusing and uncertain situation of connecting composite seals to floor drains and shower channels.

First the Seal System sealing tape was developed, followed by the Seal System sealing sleeve. These are the connecting items between composite seal and drainage solution (channel/floor drain).

Highly extensive combination tests were then carried out on composite seal products with the TECEdrainline shower channels, the TECEdrainprofile shower profile and TECEdrainpoint S floor drains. The functional reliability (tightness) of the connection of the composite seal to the TECE drainage products was tested. The tests were carried out by the independent testing institute KIWA TBU and were carried out in accordance with the testing principles (PG-AIV-F/-B) for composite seals applicable in Germany.

Numerous composite seal products from renowned manufacturers have been successfully tested.

The tested safety can be recognised by the Seal System quality seal. “Seal System - Tested Composite Seal” therefore stands for tightness of the connection between drainage solution and composite seal and for a test certificate that provides planners, applicators and end users with security and an overview.

The currently tested composite seal products are listed in the table on the following page.

Seal System is available for the TECEdrainline shower channels, the TECEdrainprofile shower profile and the TECEdrainpoint S plastic drain range. You can find information on the components and structure of the other TECE products in the corresponding sections.

For the TECEdrainprofile shower profile, Seal System consists of the following components:

- TECEdrainprofile drain with factory fitted, clickable Seal System sealing sleeve
- One of the tested sealing products

Planning

A test certificate is available for each composite seal product that has passed the test (www.sealsystem.net).

PRÜFZEUGNIS

kiwa

Prüfung der Wasserdichtheit im Einbauzustand zwischen Dichtmanschette und Verbundabdichtung

Firma: TECE GmbH
Hollfeldstraße 57
48282 Emsdetten
Deutschland

Ausstellungsdatum: 20.03.2018
Geltungsdauer bis: 20.03.2023

Systemkomponente: Dichtmanschette, beidseitig vlieskaschiert
TECEDrainprofile Seal System Dichtmanschette

zementäre Dichtungsschlämmen
Codex NC 210
Ceresit CR 72
Schönnox 2K DS Rapid
weber.tec 824
Rywalit DS 99 X
Murexin Maximo PSM 1K
Aquafin RS 300
Sopro TDS 823
Sopro DSF 423
Sopro DSF 523
Kiesel Servoflex DMS 1K-schnell
Kiesel Servoflex DMS 1K-Plus
PCI Seccoral 2K Rapid

Abdichtungsbahnen
Sopro AEB 640
PCI Pecilastic W
Schlüter Kerdi
(Bezeichnungen des Auftraggebers)

Prüfung	Prüfgrundsatz	Ergebnis
Wasserdichtheit im Einbauzustand* (Wassersäule: 20 cm, 28 Tage)	PG-AIV (Mai 2014)	DICHT

Die genauen Prüfbedingungen sind im Prüfbericht 2.1/29183/0720.0.1-2017 beschrieben.

* Nachweis für die Beanspruchungsklasse A gemäß PG-AIV (Mai 2014) und Beanspruchungsklasse A0 gemäß ZDB-Merkblatt Verbundabdichtungen (August 2012) der Anschlussvariante mit den o.g. Systemkomponenten.

Dieses Prüfzeugnis ersetzt nicht das allgemeine bauaufsichtliche Prüfzeugnis für den bauaufsichtlich geregelten Bereich.

Greven, 20.03.2018

Dr. rer. oec. Ralf Hübner
V. Martinus Kalkbrenner, B. Eng.
(stellv. Leiter der Prüfstelle)

Kiwa GmbH
TBO
Quatzberger 23
48256 Greven
Deutschland
Tel: +49 (0)2571 9872-0
Fax: +49 (0)2571 9872-99
Web: www.kiwa.de
E-Mail: info@kiwa.de
Graf: #faktive
Prod. Dr. Ralf Hübner
QMF Z.N. 104 cxd 0

Seal System test certificate (example)

The shower profiles, shower channels and floor drains are identified with the Seal System imprint on the sealing sleeves and the product packaging. Each of the products is accompanied by a brief explanation from Seal System and a list of all tested composite seal products. This makes it easy for the installer on the construction site to select a safe and tested composite seal product.

At www.sealsystem.net you can find all test certificates of the successfully tested composite seal products and information on Seal System.

Manufacturer	Seal System tested product
Codex	Codex NC 210
Kiesel	Servoflex DMS 1K - Fast Super Tec
	Servoflex DMS 1K PLUS
Murexin	Murexin Maximo PSM 1K
PCI	Ceresit CR 72
	PCI Pecilastic W
	PCI Seccoral 2K Rapid
Rywa	Rywalit DS 99 X

Manufacturer	Seal System tested product
Saint Gobain Weber	weber.tec 824
Schlüter	Schlüter Kerdi
Schomburg	Aquafin RS300
Sika	Schönox 2K DS Rapid
Sopro	Sopro AEB 640
	Sopro DSF 423
	Sopro DSF 523
	Sopro TDS 823

Seal System tested composite seal products

Drains

The technical requirements for drains in buildings are regulated in DIN EN 1253. The standard specifies, among other things, the minimum drain capacities, the sealing water heights of odour traps and the load-bearing capacity of grates.

Drain capacities and odour traps

The minimum discharge values for drains with one or more inlets are specified in section 4.8.1 of DIN EN 1253-1 as follows:

Nominal value of the drain nozzle		Floor drains	
DN / OD	DN / ID	Minimum discharge values	Water storage level a
32	30	0.4 l/s	20mm
40	40	0.6 l/s	20mm
50	50	0.8 l/s	20mm
75	70	0.8 l/s	20mm
110	100	1.4 l/s	20mm

Discharge capacity (inflow over the grate) - Minimum discharge values for drains

Odour traps are designed to prevent sewer gases from entering the building. DIN EN 1253 therefore requires odour traps to have a minimum sealing water height of 50 mm. In certain cases, an odour trap is not absolutely necessary in outdoor areas.

Load-bearing capacity of grates

Drains, attachments and grates must be designed to withstand the expected loads (for example, including vehicular traffic). These classifications for installation inside buildings are described in DIN EN 1253-1.

Load class	Test load	Area/location of use
H 1.5	150 kg (1.5 kN)	Surfaces on which no load is expected.
K 3	300 kg (3 kN)	Surfaces without vehicle traffic, such as flats, commercial and some public buildings. Such as bathrooms in flats, hotels, old people's homes, schools, swimming pools, public washing and shower facilities, balconies, loggias, terraces and green roofs.
L 15	1.5 t (15 kN)	Surfaces with light vehicle traffic, such as in commercially used premises and public areas.

Load classes of gratings according to DIN EN 1253-1

It is the responsibility of the planner to select the appropriate class. If in doubt, always select the higher load class.

Barrier-free bathroom design

Demographic changes have led to an increased demand for barrier-free homes. A disability, an accident or ageing - there are numerous reasons for why people can be restricted in their mobility or require a wheelchair.

It is important for them that public buildings but especially their own four walls are equipped in such a way that they can move around in them without difficulties. "Barrier-free" is the technical term. This requires sufficiently wide doors, no thresholds, no steps, and a shower at ground level. The TECEdrainprofile makes life without bumps and steps possible in the shower area. The floor-level shower profile makes it easier to "enter" the shower area.

When planning a barrier-free sanitary room, the local requirements, guidelines, standards and laws must be observed.

Planning and installation instructions

Planning and installation instructions

Shower profile position and gradient design

The shower profile can be installed flush with the wall or away from the wall. Positioning the shower profile in the transition between shower and dry area is not recommended.

The gradient for draining the shower water should be at least 1%. A gradient of 1-2% is usually recommended. More details can be found in the following installation examples.

Installation examples

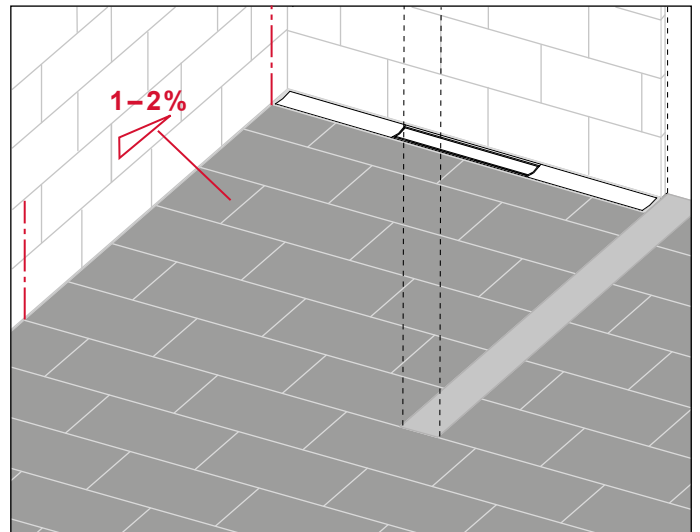
The Drainprofile shower profile is specially designed for simple and safe recessed installation. This means that it is installed over the entire width of the shower area. This minimises tile cuts, which on the one hand benefits the visual aspect, especially with popular large-format tiles, and on the other hand reduces the time and cost of installation. Installation flush with the wall is the most visually restrained version.

The shower profiles are available ex works in lengths of 800 mm, 900 mm, 1000 mm and 1200 mm. If required, each profile can be adapted to the individual shower space width on site by simply cutting it to length. Each profile can be shortened to a minimum of 500 mm.

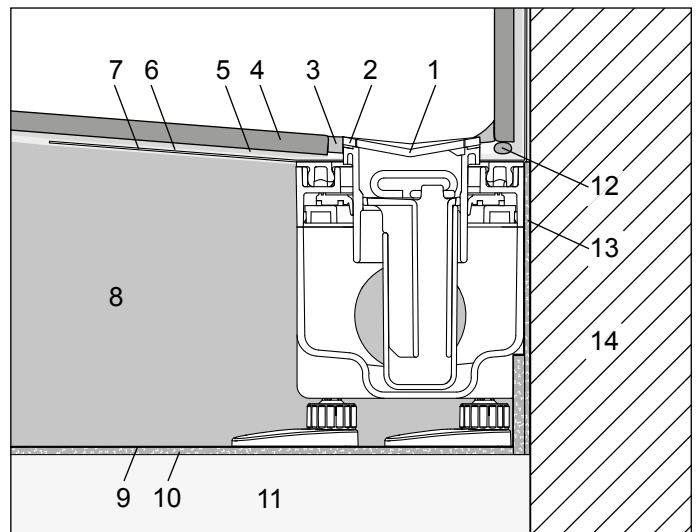
Installation flush with the wall



Installation "flush with the wall"



Installation "flush with the wall", gradient



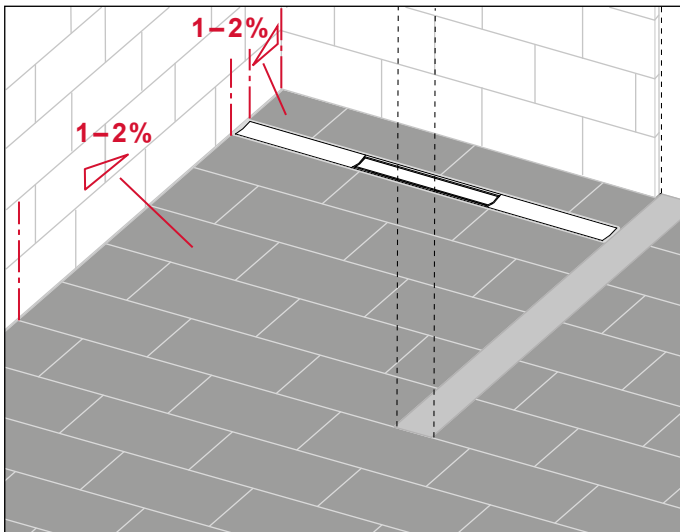
Installation "flush with the wall", layered construction:

- | | |
|---------------------|------------------------------------|
| 1. Profile cover 8. | Screed |
| 2. Profile 9. | PE sheet |
| 3. Elastic grouting | 10. Sound insulation mat Drainbase |
| 4. Tile covering | 11. Unfinished floor |
| 5. Tile adhesive | 12. Backfill material |
| 6. Composite seal | 13. Sound-proofing strip |
| 7. Sealing sleeve | 14. Masonry |

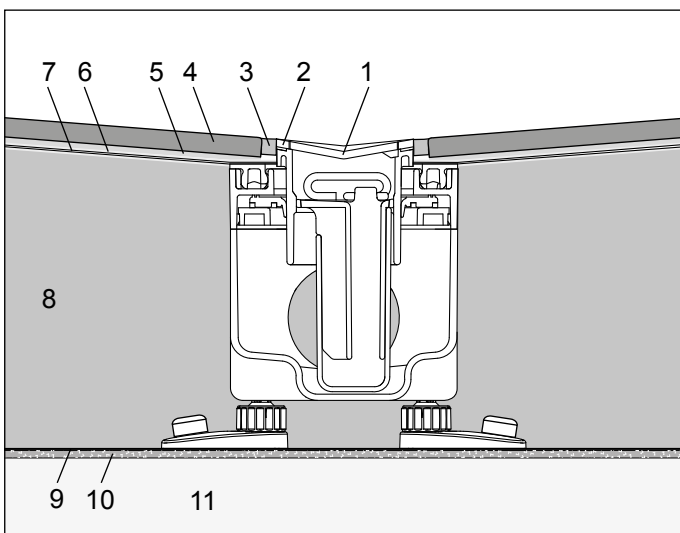
Installation close to wall



Installation "close to wall"



Installation "close to wall", gradient



Installation "close to wall", layered construction:

- | | |
|---------------------|------------------------------------|
| 1. Profile cover 7. | Sealing sleeve |
| 2. Profile 8. | Screed |
| 3. Elastic grouting | 9. PE sheet |
| 4. Tile covering | 10. Sound insulation mat Drainbase |
| 5. Tile adhesive | 11. Unfinished floor |
| 6. Composite seal | |

Sound insulation

The TECE range offers the pressure-resistant "Drainbase" sound insulation mat for sound insulation. Just 6 mm thick, the mat is installed throughout the shower area between the unfinished floor of the building shell and the screed. For installation flush with the wall, sound insulation is also achieved with the sound insulation strip supplied and adapted to the contours of the Drainprofile drain. The shower profile, the drain with the assembly feet and the waste water pipe therefore stand directly on the sound insulation mat, which is covered with a PE film, and are therefore decoupled from the structural shell.

The Drainbase sound insulation mat meets the increased requirements of DIN 4109 and VDI 4100 (sound insulation level III). According to DIN 4109, the requirements for the sound pressure level for living rooms and bedrooms caused by water installation are ≤ 30 dB(A), the increased requirements of DIN 4109 and VDI 4100 (SST III) even demand ≤ 25 dB(A) and ≤ 24 dB(A) respectively. In combination with TECEdrainprofile, the sound insulation mat, which is made of recycled rubber in a resource-saving process, achieves a sound pressure level of 25 dB(A) (rear lower floor) according to DIN 4109 and 21 dB(A) (rear lower floor) according to VDI 4100. This value is confirmed by an official test report by Fraunhofer IBP. The Drainbase sound insulation mat achieves a rated impact noise reduction of $\Delta L_w = 19$ dB(A) (front lower floor).

Unlike conventional sound-proofing methods that are several centimetres thick, the TECE Drainbase sound insulation mat is just 6 mm "thin" and practically does not give way under load. Even with a pressure of 15 t/m^2 , the compression is just 0.6 mm. This means that the high sound insulation requirements can be met with Drainbase even with low floor construction heights.



Sound insulation mat Drainbase

Planning and installation instructions

Drainbase technical data:

Material	recycled rubber granulate bound with PU elastomer
Colour	black/coloured
Surface	smooth with granulate structure
Width x length	1,250 mm x 1,250 mm or 1,250 mm x 8 m (roll)
Thickness	6 mm
Tensile strength	approx. 0.4 N/mm ²
Elongation at break	approx. 50%
Temperature resistance	- 30°C to + 80°C
Fire behaviour	B2
Compression	0.6 mm at 15 t/m ²
Assessed impact noise reduction ΔL_w	= 19 dB(A) (with 95 mm screed)

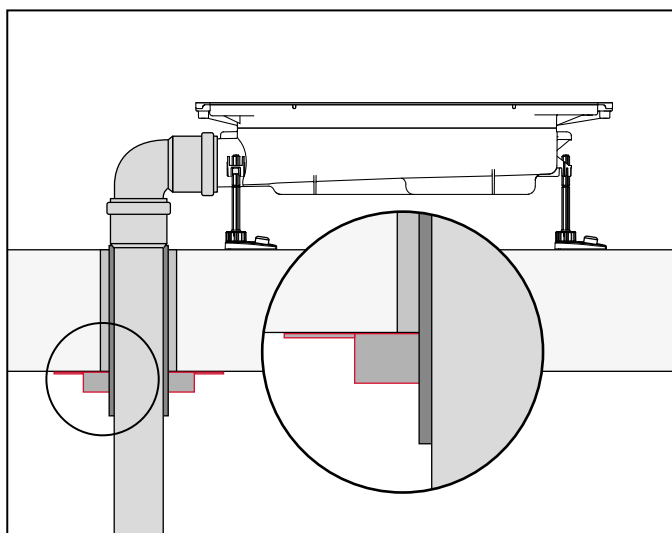
If you wish to achieve even higher sound insulation values, you can additionally combine the Drainbase sound insulation mat with a thin mineral fibre impact sound insulation. To do this, the drain is installed with the assembly feet on the Drainbase sound insulation mat (according to the installation instructions). The mineral fibre impact sound insulation is then additionally laid over this and covered with a PE film and then the screed is applied.

In this way, installation sound levels L_{in} of 14 dB(A) (rear lower floor, according to DIN 4109), or 11 dB(A) (rear lower floor, according to VDI 4100) can be realised when installed flush with the wall. A weighted impact noise reduction ΔL_w of 39 dB(A) (front lower floor) is achieved. These values have been confirmed by sound insulation tests carried out by Fraunhofer IBP.

The test certificates of the sound insulation tests can be found at www.tece.com/en.

Fire protection

When passing the waste water pipe through solid ceilings, approved fire protection solutions - such as the ROKU System AWM II fire protection sleeve - must be provided to guarantee fire protection. This ROKU pipe separation is approved for many common pipes on the market, both for insulated and non-insulated plastic pipes, as well as sound-insulated waste water pipes. The pipe is led through the pipe separation and this is screwed under the ceiling. The gap between the pipe and the solid ceiling is completely filled with non-combustible and dimensionally stable building materials (building material class DIN 4102-A), for example concrete, cement mortar or gypsum mortar.



In case of fire, the foaming building material inside the fire protection sleeve reacts with strong inflation pressure and permanently seals the component opening against the passage of fire and smoke.

The fire protection sleeve has been awarded fire resistance class R90 (according to DIN 4102) or EI 90/120/240 according to EN 13501. The class depends on the structure or installation of the fire protection sleeve and the pipes that are routed through it.

TECEdrainprofile – the advantages

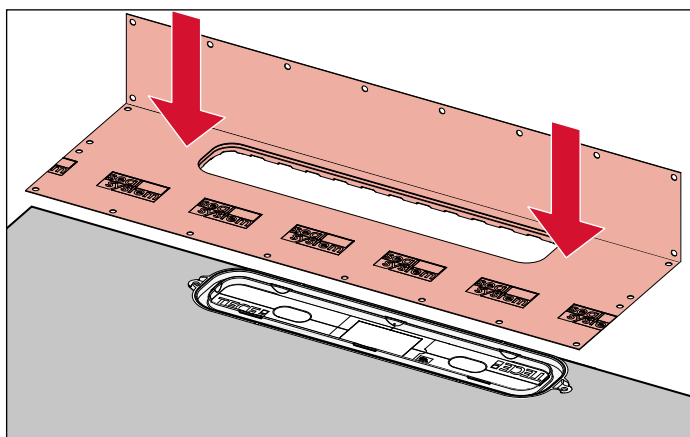
TECEdrainprofile facilitates simple recessed mounting of the drainage system across the entire shower space width. The technical details of the product make it easier for the plumber, screed layer and tiler to install the product professionally, including a safe sealing. Being easy to clean facilitates the work of the end customer and thereby enables perfect hygiene in the shower area.

Recessed installation solution

The technical product design of TECEdrainprofile enables easy and safe recessed installation of the shower profile across the entire width of the shower area. Especially with the latest large-format tiles, this results in a more attractive and elegant overall impression, without the previously standard tile fragments on the sides as with shower channels. The simple flush-to-wall installation is achieved by mounting the shower profile above the composite seal. This makes it much easier and safer to create the composite seal, especially in the corners of the showers. Flanges for the sealing connection no longer extend into the corners of the shower area, as is the case with shower channels. In addition, the shower profile can be cut to length by hand on site (stainless steel saw). This allows it to be adapted exactly to the existing shower space width if required.

Safe sealing with click-in Seal System sealing sleeve

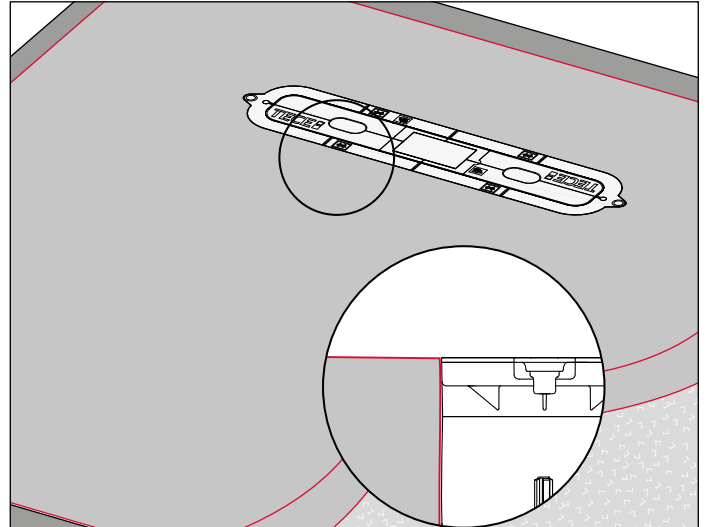
The factory fitted and clickable Seal System sealing sleeve is part of the Drainprofile product. It is simply clicked into the drain by hand. This ensures a water-tight connection.



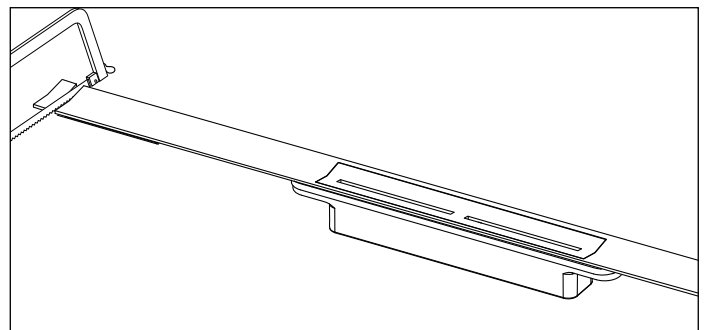
The elastic sealing sleeve then only needs to be worked into the composite seal.

Easy assembly thanks to clever product details

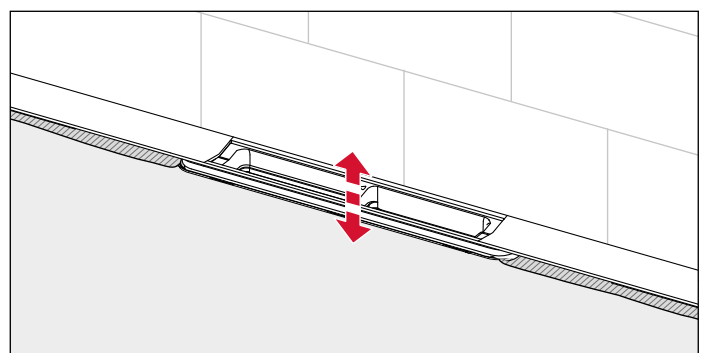
The drain, which is bound in the screed, simplifies creating a level screed surface with a gradient. No elements get in the way when it comes to removing the screed.



The shower profile can be cut to size (minimum length 500 mm) and easily and precisely adjusted to fit the width of the shower area. This is done with a hand saw with a stainless steel blade.

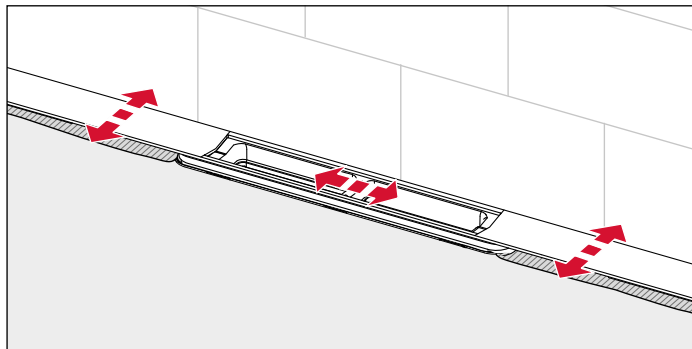


A simple height setting allows you to adjust it to various thicknesses of wall and floor tiles. The shower profile is adjustable to floor coverings from 8–25 mm and wall coverings from 10 mm (including adhesive bed).



TECEdrainprofile – the advantages

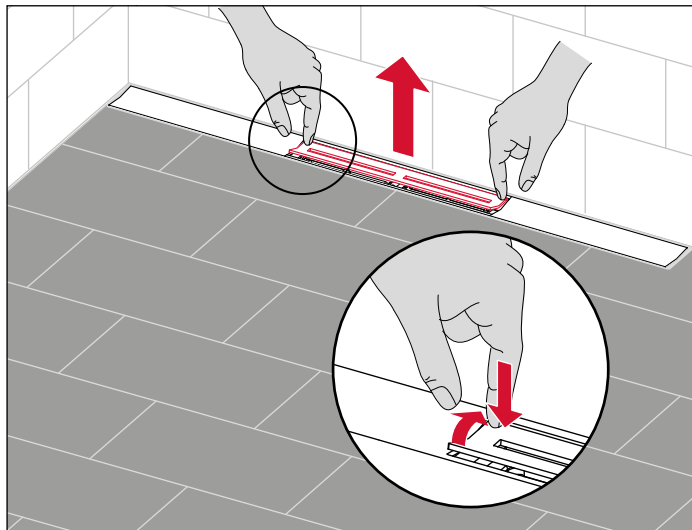
The shower profile is finely positioned by installing the drain in screed. The assembly solution allows subsequent fine positioning of the shower profile in all horizontal directions by 5 mm respectively.



The simplest cleaning for perfect hygiene

Rinse, wipe, done! Removing the grate to clean shower channels is now a thing of the past. The shower profile is made of hygienic stainless steel and has an internal gradient. This optimises drainage of water and the self-cleaning effect, thereby reducing the amount of cleaning required. The drain located beneath the shower profile is easily accessible and can be cleaned if required. The drain pipe is accessible with a spiral.

Thanks to its special “push function”, the profile cover can be easily removed by hand without the need for tools.



The now accessible odour trap can also be pulled out by hand on the stainless steel brackets for easy cleaning.

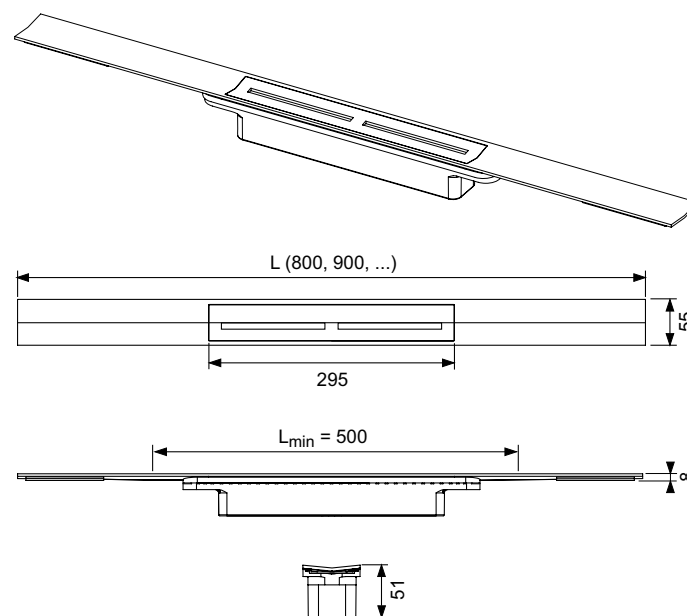
Range and technical data

The clearly structured, easy to understand range reduces storage space requirements. The few components include the shower profile, drain and accessories.



Various installation options can be implemented using just one shower profile – at the wall, next to the wall or in the middle of the room.

Shower profiles



Shower profile for shower drainage, for installation in tile adhesive above the screed and seal.

Properties:

- Stainless steel shower profile that can be cut to length, with internal gradient for improved water drainage and self-cleaning effect, material 1.4301 (304)
- Shower profile can be shortened to ≥ 500 mm
- Stainless steel profile cover, with “push function” for removal by hand, material 1.4301 (304)
- Connection piece for connection with the TECEdrainprofile drain
- Grips for simple installation and solid connection with the tile adhesive
- For floor coverings from 8-25 mm (including adhesive bed)
- For flush to the wall installation for wall coverings from 10 mm (including adhesive bed)
- For installation at the wall (flush to the wall) or at any specific distance from the wall

Length	Width	Surface	Item no.
800mm	55mm	Brushed	670800
800mm	55mm	Polished	670810
900mm	55mm	Brushed	670900
900mm	55mm	Polished	670910
1000mm	55mm	Brushed	671000
1000mm	55mm	Polished	671010
1200mm	55mm	Brushed	671200
1200mm	55mm	Polished	671210

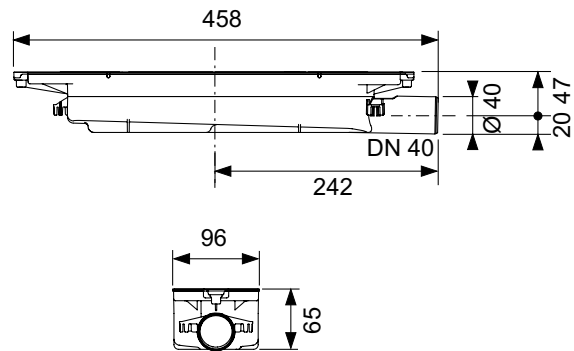
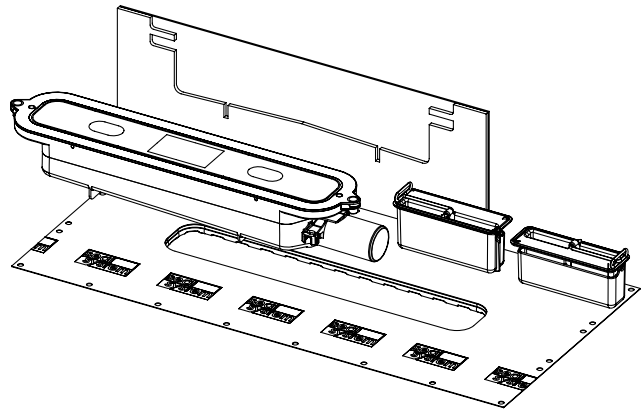
Range and technical data

The shower profiles with coloured PVD surfaces are colour-coordinated with the TECESquare II metal toilet flush plates and the hansgrohe / AXOR fitting collections.

Length	Surface	Item no.
800mm	Brushed Black Chrome	670801
800mm	Polished Black Chrome	670811
800mm	Brushed Gold Optic	670802
800mm	Polished Gold Optic	670812
800mm	Brushed Red Optic	670803
800mm	Polished Red Optic	670813
900mm	Brushed Black Chrome	670901
900mm	Polished Black Chrome	670911
900mm	Brushed Gold Optic	670902
900mm	Polished Gold Optic	670912
900mm	Brushed Red Optic	670903
900mm	Polished Red Optic	670913
1000mm	Brushed Black Chrome	671001
1000mm	Polished Black Chrome	671011
1000mm	Brushed Gold Optic	671002
1000mm	Polished Gold Optic	671012
1000mm	Brushed Red Optic	671003
1000mm	Polished Red Optic	671013
1200mm	Brushed Black Chrome	671201
1200mm	Polished Black Chrome	671211
1200mm	Brushed Gold Optic	671202
1200mm	Polished Gold Optic	671212
1200mm	Brushed Red Optic	671203
1200mm	Polished Red Optic	671213

Drains

“Flat” drain



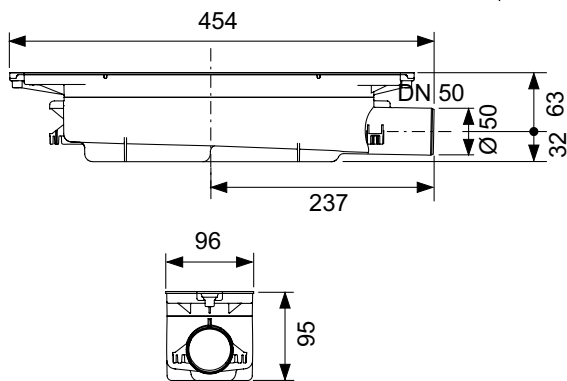
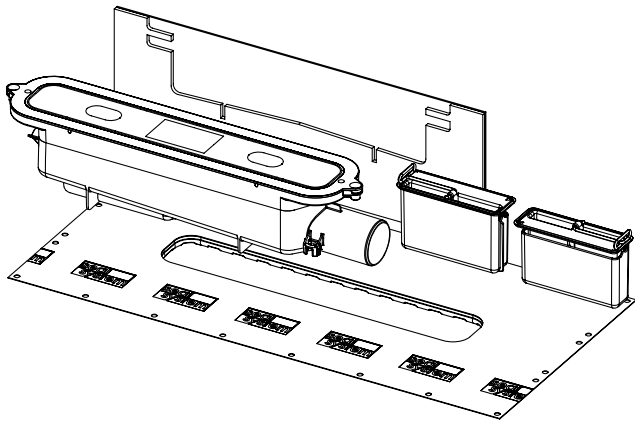
Drain for TECEdrainprofile shower profile, for installing in screed, for connection to the side of a DN 40 drain line. With factory fitted and clickable Seal System sealing sleeve, to create a DIN 18534 compliant connection of the composite seal.

Properties:

- Min. installation height 65 mm (bottom edge of drain to upper edge of screed)
- Drainage capacity $\geq 0.46/\geq 0.53$ l/s (to DIN EN 1253 with 10/20 mm build-up above the profile cover)
- Sealing water height 30 mm
- Removable odour trap
- Integrated screed anchorage
- Factory fitted, clickable and flexible sealing sleeve with Seal System
- Matching prefabricated sound insulation strip
- Protective construction cover
- Sliding/movable seal for connection to TECEdrainprofile shower profile and to compensate for structural tolerances

Order no. 673001

“Standard” drain



Drain for TECEdrainprofile shower profile, for installing in screed, for connection to the side of a DN 50 drain line. With factory fitted and clickable Seal System sealing sleeve, to create a DIN 18534 compliant connection of the composite seal

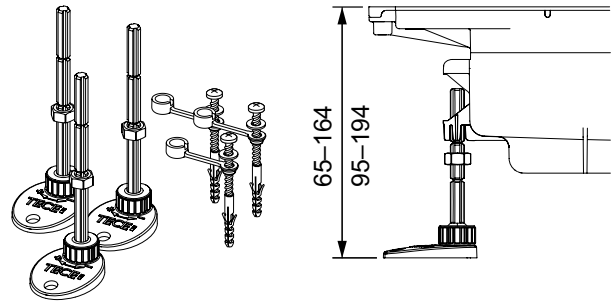
Properties:

- Min. installation height 95 mm (bottom edge of drain to upper edge of screed)
- Drainage capacity $\geq 0.6/\geq 0.8$ l/s (to DIN EN 1253 with 10/20 mm build-up above the profile cover)
- Sealing water height 50 mm
- Removable odour trap
- Integrated screed anchorage
- Factory fitted, clickable and flexible sealing sleeve with Seal System
- Matching prefabricated sound insulation strip
- Protective construction cover
- Sliding/movable seal for connection to TECEdrainprofile shower profile and to compensate for construction tolerances

Order no. 673002

Accessories

Assembly feet



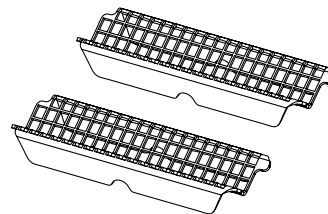
Assembly feet for TECEdrainprofile “standard” and “flat” drains to facilitate height adjustment and to fix in position during the shell installation stage.

Properties:

- 3 assembly feet incl. sound insulation cap and mounting materials
- Adjustment range on “standard” drain 95-194 mm, on “flat” drain 65-164 mm (lower edge of feet to the upper edge of drain or screed).

Order no. 674000

Hair trap



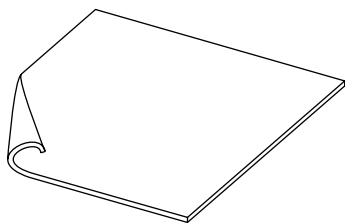
Hair trap made of stainless steel for inserting into the TECEdrainprofile shower profile. With “push function” for easy removal by hand.

One set – consisting of two hair traps – is required for a single shower profile.

Order no. 674002

Range and technical data

Sound insulation mat Drainbase



Sound insulation mat for assembly under floating screed in the area of floor-level showers or throughout the bathroom. To reduce installation noise and impact noise insulation for renovation and new construction.

Installation noise level with TECEdrainprofile: 25 dB(A) (rear lower floor, according to DIN 4109) and 21 dB(A) (rear lower floor, according to VDI 4100). Made from recycled high-tensile rubber granules bound with PUR elastomer. Meets enhanced sound insulation requirements for installation noise level according to DIN 4109 supplement 2, issued 1989-11 and the highest sound insulation level SSt III according to VDI 4100, issued 2012-10 (sound test verification available at tece.com or on request).

Properties:

- Fire class: B2 (DIN 4102)
- Thermal resistance: 0.05 (m²K)/W
- Compression at 15 t/m²: 0.6mm
- Impact noise reduction: $\Delta L_w = 20$ dB(A) (with 50 mm screed, according to ISO 140-8/ISO 717-2)

Order number 660001 (1.25 m x 1.25 m x 6 mm)

Order number 660002 (8 m x 1.25 m x 6 mm)

Assembly instructions

Important: This section provides assembly instructions for the essential points of the installation of drain profiles. The instructions are therefore sections explained from the overall installation procedure. The entire installation procedure is shown in the assembly instructions for the drain profile items.

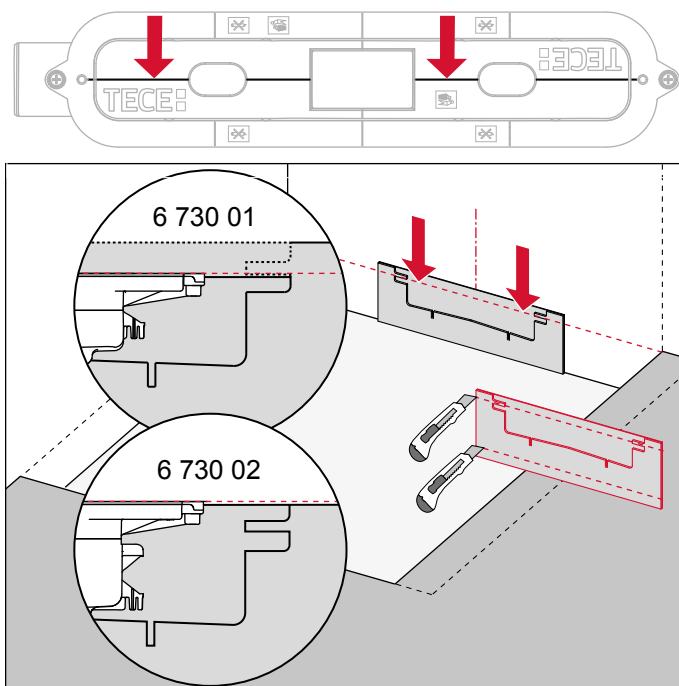
Installation flush with the wall - position of the drain

When installing the shower profile flush with the wall, the distance from the drain to the wall is determined at the beginning of the installation and the drain is then installed in the screed at this position. The distance from the drain to the wall depends on the desired wall structure. The thinnest wall structure (waterproofing, adhesive, wall covering) to be used is 13 mm. For wall structures of 13 mm to 18 mm, the drain is placed directly against the wall with the sound insulation strip supplied. This means that the distance from the centre of the drain to the wall is 48 mm.

With a wall structure > 18 mm, the distance from the drain to the wall is then calculated as follows:

Distance from the centre of the drain to the wall (in mm) = wall mounting (in mm) + 30 mm.

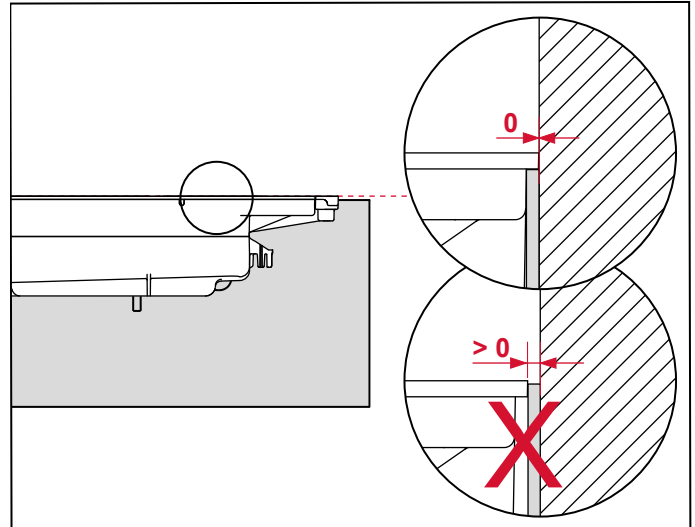
In order to be able to measure the distance from the centre of the drain to the wall, a centre line is applied to the bare-wall protection of the drain:



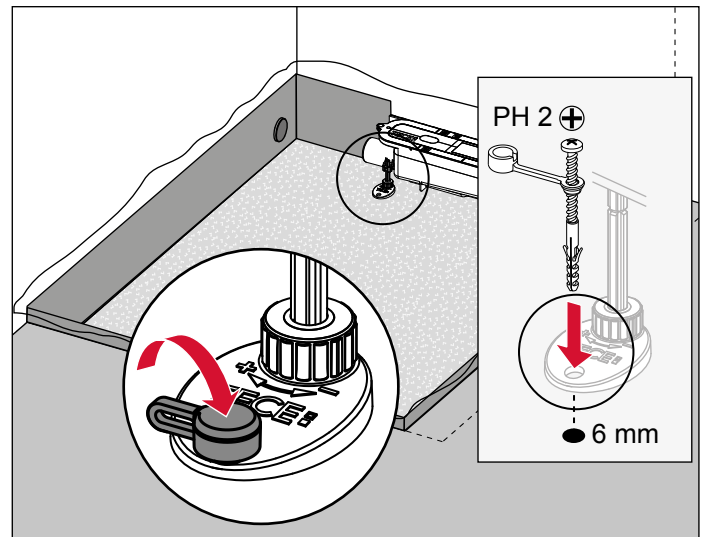
Before placing the screed, the special sound insulation strip supplied is shortened to the desired height. It is cut off at the bottom so that the upper edge of the sound

insulation strip is flush with the lower edge of the sound insulation strip.

When installing the “flat” drain, the excess upper area is also cut off.

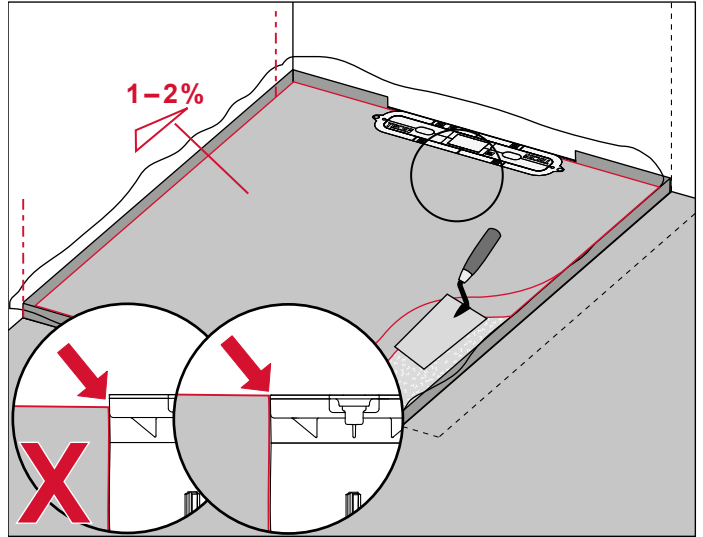
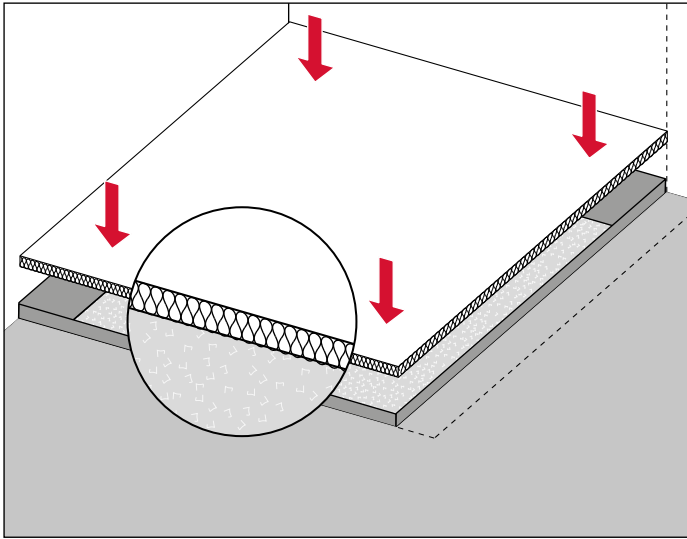


The drain is positioned on the Drainbase sound insulation mat. The assembly feet are screwed to the substrate through the Drainbase.

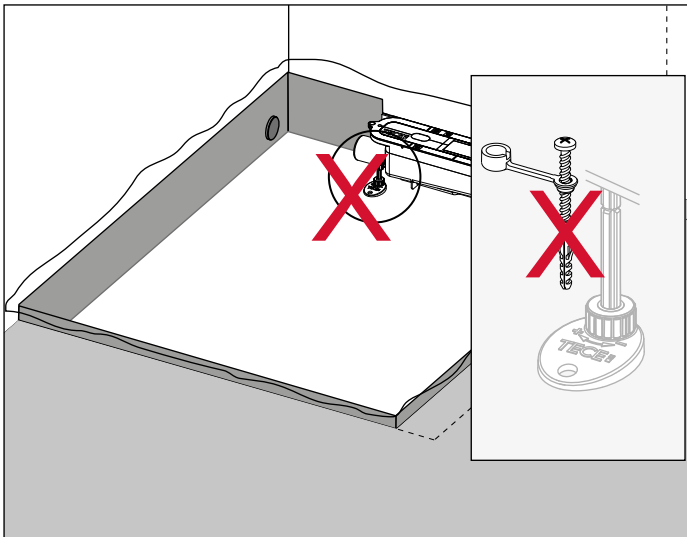


Assembly instructions

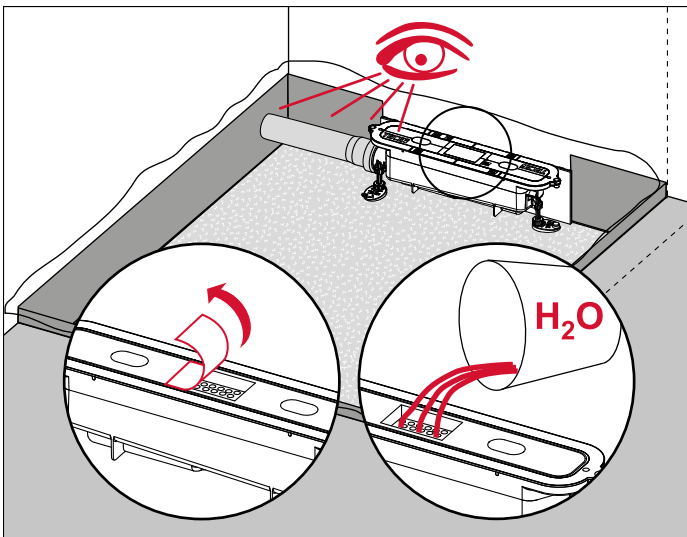
If, however, the drain is to be laid floating, the drain is positioned on a conventional sound insulation mat. In this case, the assembly feet must not be screwed onto the substrate.



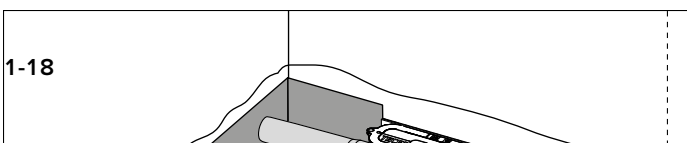
The drain is inserted into the screed so that it is flush with the upper edge of the screed. In addition, the drain must be integrated into the screed with as few cavities as possible.



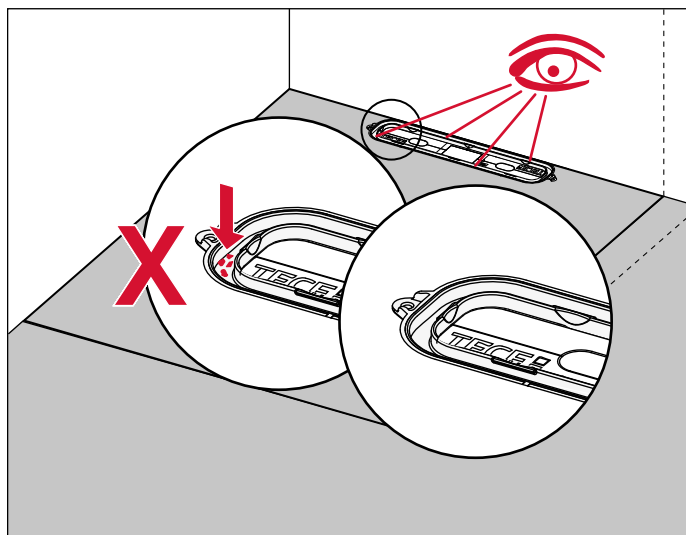
For the leak test of the drain and drain pipe, the sticker must be temporarily removed from the drain cover.



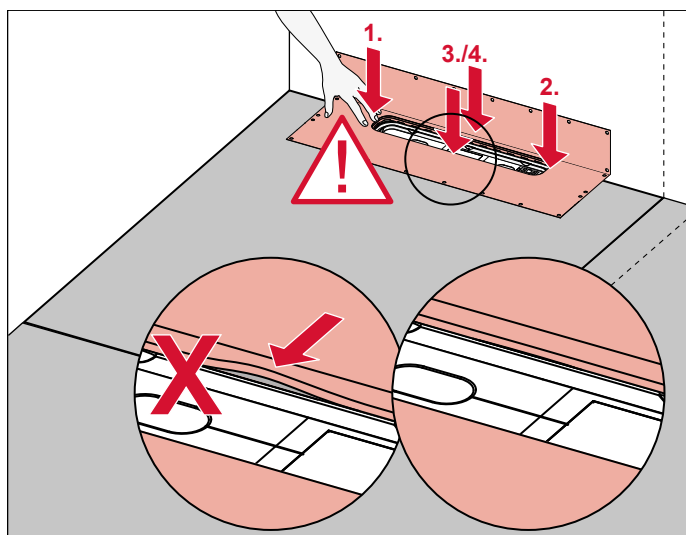
Inserting the drain into the screed



Creating the composite seal

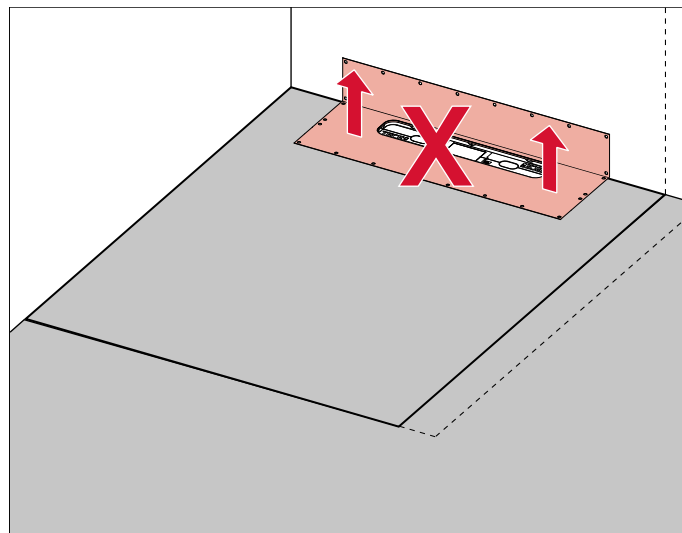


Remove the outer part of the protective cap for construction. Check the groove area for dirt. Carefully remove any particles from the groove.



Remove the Seal System sealing sleeve from the packaging and press the frame into the groove with your hands. First press the outer parts and corners into the groove (1. and 2.). Now click the frame in from the outside inwards (3. and 4.).

The sleeve is correctly fitted when it lies completely flat.

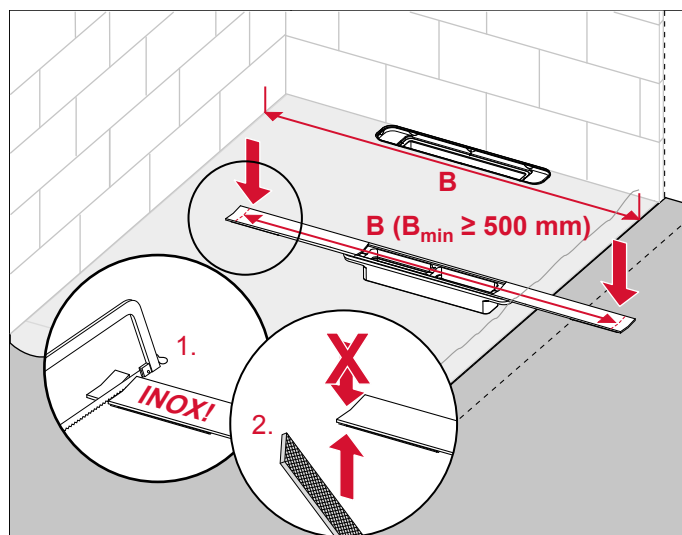


After the sealing sleeve has been clicked in, it must not be removed again or pulled on. Otherwise there is a risk that the sealing sleeve will be damaged and leaks may occur.

Then, the composite seal is created.

Installing the shower profile

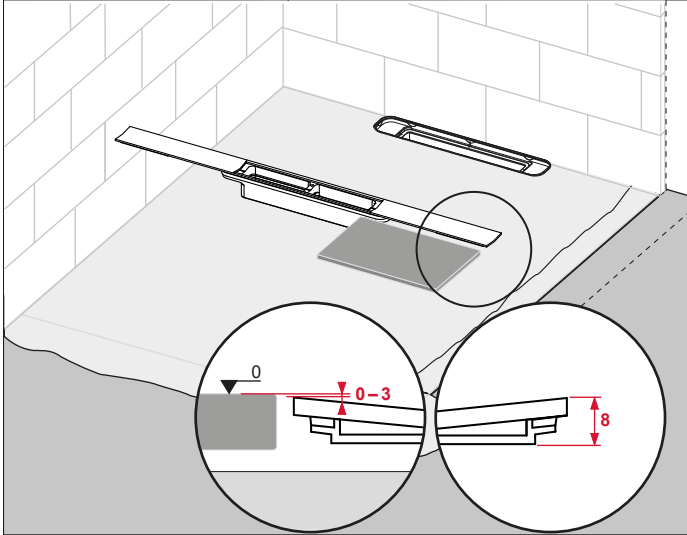
Once the sealing has been applied and the wall tiles have been laid, the shower profile can be installed.



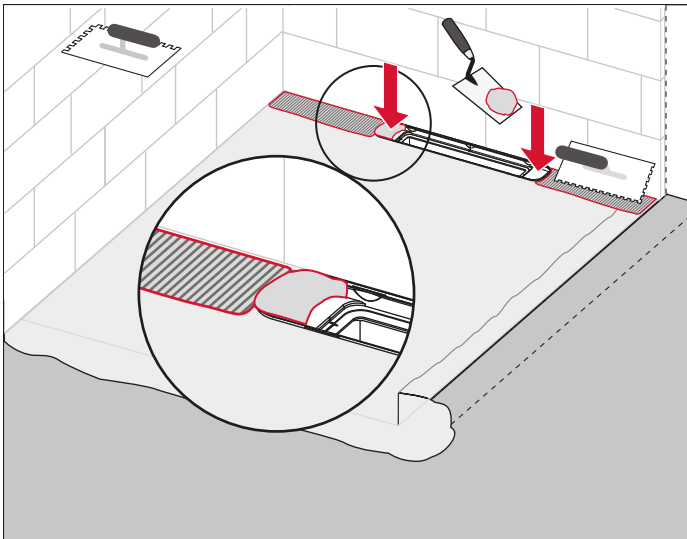
If the existing shower area width does not exactly match the lengths of the drain profiles available ex works, the profiles can be shortened with a saw. This must only be carried out with a stainless steel saw blade. Ensure also that no ferrous products (steel, etc.) have been sawn with the saw blade beforehand. Otherwise, iron ions will enter, causing extraneous rust on the stainless steel profile.

Assembly instructions

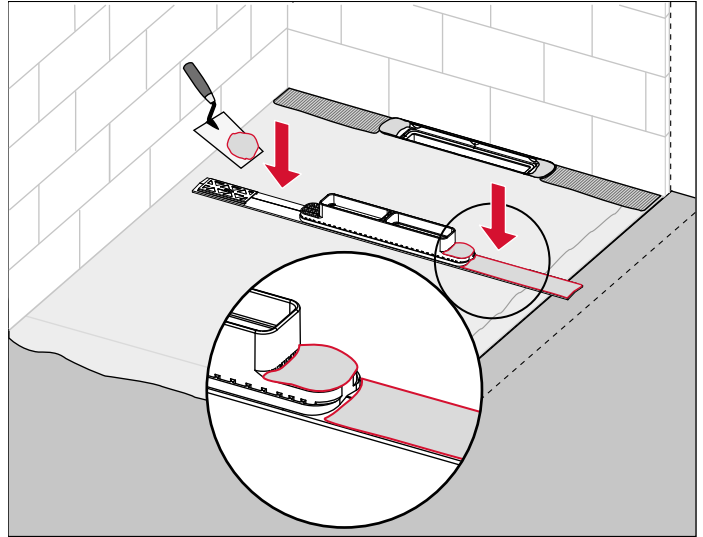
The shower profiles can be shortened to 500 mm. This applies to all profile lengths (800 mm, 900 mm, 1000 mm, 1200 mm).



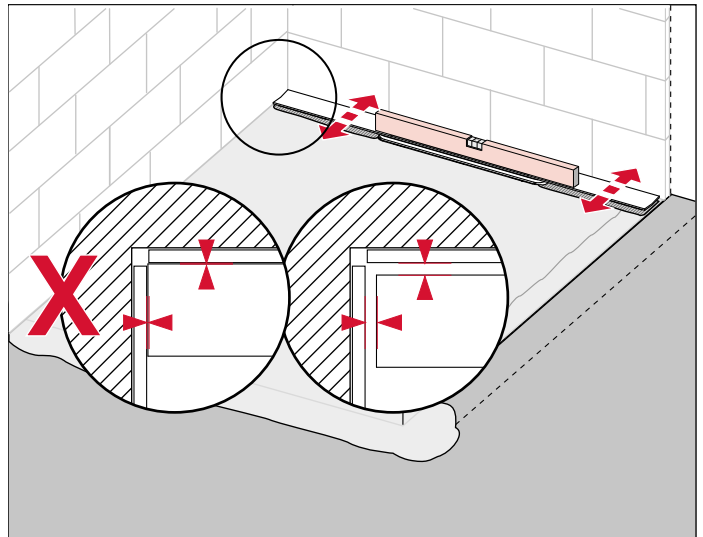
The shower profile - like every floor drain item - is installed as the deepest item in the shower area. It should therefore be installed at the same height or slightly lower than the adjoining tiles.



The shower profile is installed with tile adhesive using the "buttering and floating" method. To do this, apply the tile adhesive to the floor and in the recessed elements of the drain. Make sure that no tile adhesive gets into the drain or remains on the seal.



Apply tile adhesive to the entire underside of the shower profile.



The shower profile is mounted horizontally. Thanks to the movable seal, the profile can be aligned in all horizontal directions (incl. rotation) (up to 5 mm in each direction). In addition, the height of the profile can be adjusted to the floor covering (10 - 27 mm upper edge of screed to upper edge of profile).

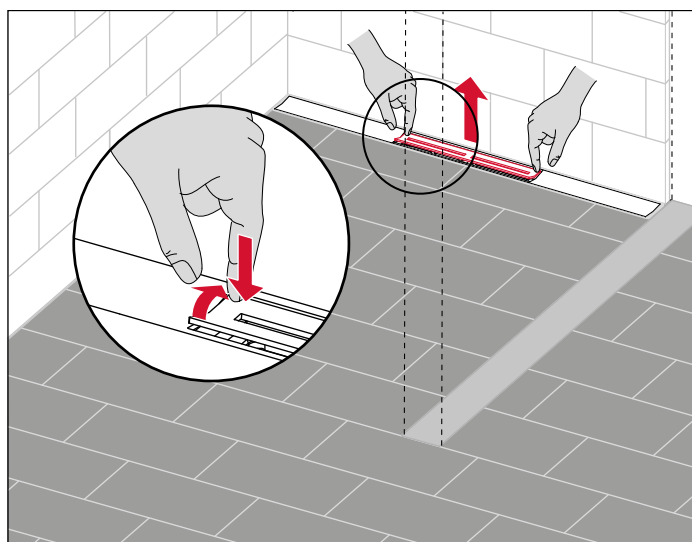
Next, the floor tiles are laid, grouted and the elastic joint seals are created. Finally, the odour traps are inserted and the profile cover is fitted.

Maintenance and care

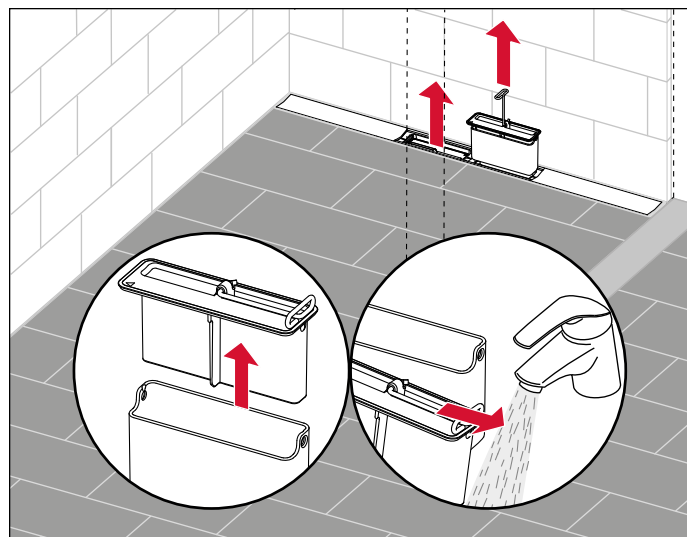
The shower profile is quick and easy to clean hygienically due to its technical design and the materials chosen. The internal gradient optimises the water drainage and self-cleaning effect. The shower profile and the profile cover are made of stainless steel and therefore offer excellent hygienic properties.

It is normally sufficient to rinse the shower profile with water, wipe it with a soft cloth (such as cotton) and dry it. Make sure that the cloth does not create any scratches. For example, only use microfibre cloths that are suitable for stainless steel surfaces. Only mild household cleaners with anionic or non-ionic surfactants should be used. Do not use cleaners with strong acids, chlorine, bleaching or scouring agents. Always apply cleaners only to the soft cleaning cloth and never directly to the profile. Wipe the profile and rinse completely with water immediately afterwards.

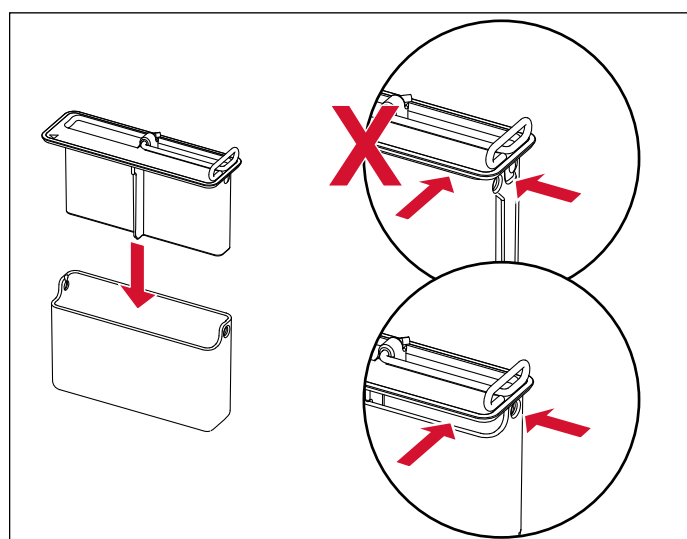
If the drain is to be cleaned, the profile cover can be easily removed by hand thanks to its special “push function”.



To do this, press the rear edge of the profile cover downwards. This causes the cover to flip up slightly at the front and can be lifted by hand.

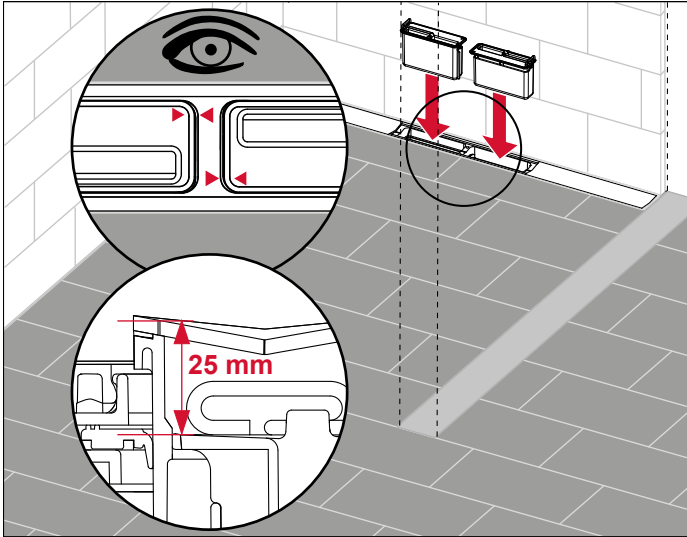


The stainless steel brackets can be used to pull the odour traps out upwards. To ensure the quickest possible cleaning, these can simply be pulled apart and then cleaned with water and a cloth, for example.



After cleaning, put the odour traps back together.

Maintenance and care



Push the odour traps into the profile connection piece as far as possible. The arrows on the odour trap and the connection piece must be directly opposite each other. If necessary, the insertion depth can be checked by measuring (25 mm from the top edge of the odour trap to the upper edge of the profile opening). Now insert the profile cover again.

If the drain pipe is blocked, it can be fully accessed again after removing the odour traps and can be cleaned with a commercially available pipe cleaning spiral. Pipe cleaners should not be used if possible. If a pipe cleaner is to be used in individual cases, it must not come into contact with the profile or profile cover. In addition, it must not contain sodium hypochlorite. After the exposure time, rinse thoroughly with plenty of water.